

Technical data

PERFORMANCE

Max. working height	14,80 m
Max. work outreach (with 200 kg)	8,50 m
Max. load on the basket	200 kg
Jib movement	90°
Turret rotation	356° non-continous
Basket rotation	+/-90° (*optional)
(P) Max. slope to stabilize	16° / 29%
Tracks enlargement	0,77 / 1,08 m
(W) Max. ramp slope (attack)	28° / 53%
(X) Max. slope to travel	28° / 53%
Travel speed	0,7 - 1,5 km/h

DIMENSIONS

(A) Basket height	1,10 m
(B) Basket width	0,70 m
(C) Basket length	1,40 m
(D) Total length	5,00 m
(E) Total length without basket	4,25 m
(F) Height in driving position	1,95 m
(G) Total width (without basket)	0,80 m
(H) Clearance from the ground	0,33 m
(H') Clearance from the ground with machine stabilized	0,56 m
(I) Tracks (l x h)	1,57 m x 0,28 m
(J) Max. longitudinal stabilization	3,73 m
(K) Max. cross stabilization	3,10 m
Stabilizers plate Ø	0,18 m

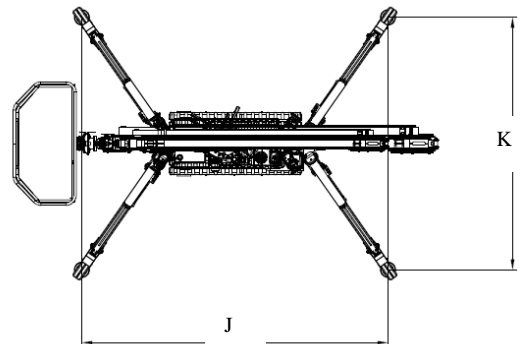
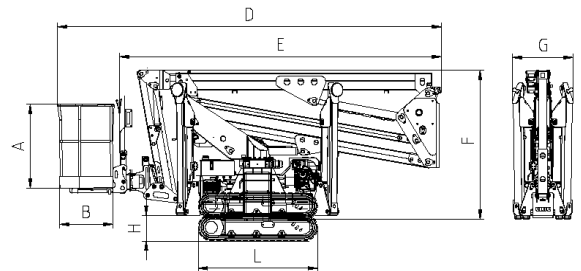
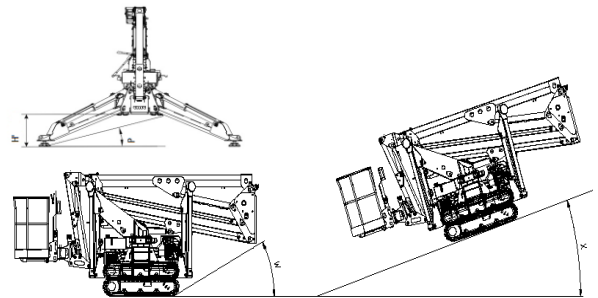
WEIGHT AND PRESSURES

Total weight	2350 kg
(R) Max. pressure on the foot	6,00 Kg/cm ² (58,84 N/cm ²)
(S) Max. pressure on the track	0,22 Kg/cm ² (2,15 N/cm ²)
(T) Max. pressure in travel	312 Kg/m ² (3,06 KN/m ²)
(U) Max. pressure in work	193 Kg/ m ² (1,89 KN/m ²)

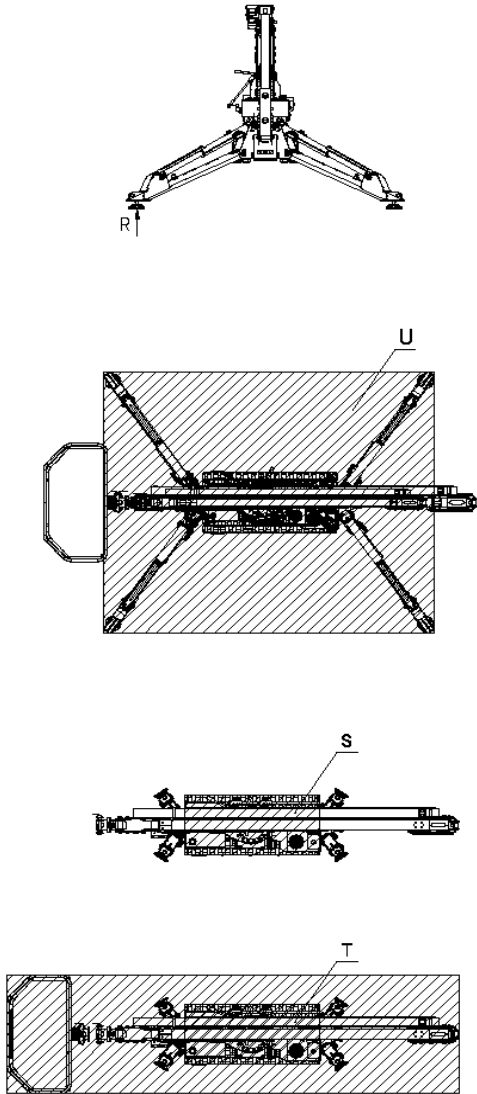
POWERS

Standard hydraulic feed	1) Honda GX390 petrol, 8.7 kW (11.7 HP), 3600 rpm Yanmar L100N6CF1T1AA diesel, 7.4 kW, 3600 rpm
*Optional hydraulic feed	2) Honda iGX390 petrol, 8.7 kW (11.7 HP), 3600 rpm 3) Electric engine 110/120/230 V 4) Motor G0901306, 9 kW, 48 V, with lithium batteries 100 Ah
Fuel capacity tank	6,1 l

S15F



TRUCK MOUNTED AERIAL PLATFORMS AND CRAWLER AERIAL PLATFORMS



WORKING DIAGRAM

