

# Technical data

## PERFORMANCE

Max. working height	12,9 m
Max. work outreach (with 80 kg)	9,00 m
Max. work outreach (with 230 kg)	6,56 m
Max. load on the basket	230 kg
Jib movement	+/-90°
Turret rotation	+/-178° (total 356°)
Basket rotation	+/-90° (*optional)
(P) Max. slope to stabilize	4° / 6,99%
Tracks enlargement	0,62 / 0,78 m
(W) Max. ramp slope (attack)	12° - 25° / 21,26% - 46,43%
(X) Max. slope to travel	- / -
Max. travel speed	0,7 / 1,5 km/h

## DIMENSIONS

(A) Basket height	1,10 m
(B) Basket width	1,40 m
(C) Basket length	1,20 m
(D) Total length	4,39 m
(E) Total length without basket	3,70 m
(F) Height in driving position	1,99 m
(G) Total width (without basket)	0,78 m
(H) Clearance from the ground	/
(I) Tracks (L x P)	1,57 m x 0,20 m
(J) Max. longitudinal stabilization	2,86 m
(K) Max. cross stabilization	2,84 m
Stabilizers plate Ø	0,18 m

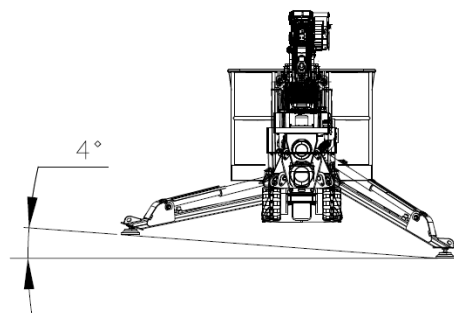
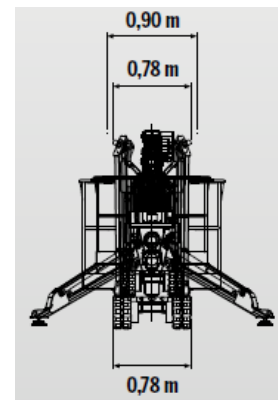
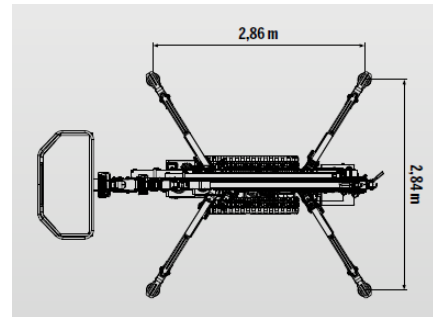
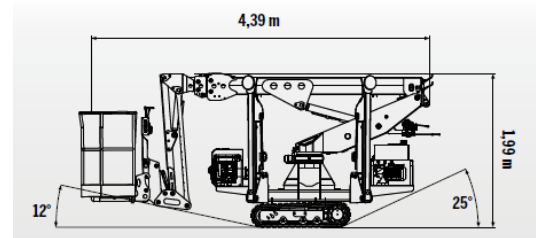
## WEIGHT AND PRESSURES

Total weight	1400 kg
(R) Max. pressure on the foot	/
(S) Max. pressure on the track	/
(T) Max. pressure in travel	/
(U) Max. pressure in work	/

## POWERS

Standard hydraulic feed	1) Honda GX390 petrol, 8.7 kW (11.7 HP), 3600 rpm Yanmar L100N6CF1T1AA diesel, 7.4 kW, 3600 rpm
*Optional hydraulic feed	2) Honda iGX390 petrol, 8.7 kW (11.7 HP), 3600 rpm 3) Electric engine 110/120/220 V 4) Motor G0901306, 9 kW, 48 V, with lithium batteries 100 Ah 5) Hybrid motor
Fuel capacity tank	6,1 l

# S13F



**TRUCK MOUNTED AERIAL PLATFORMS AND CRAWLER AERIAL PLATFORMS**

**WORKING DIAGRAM**

